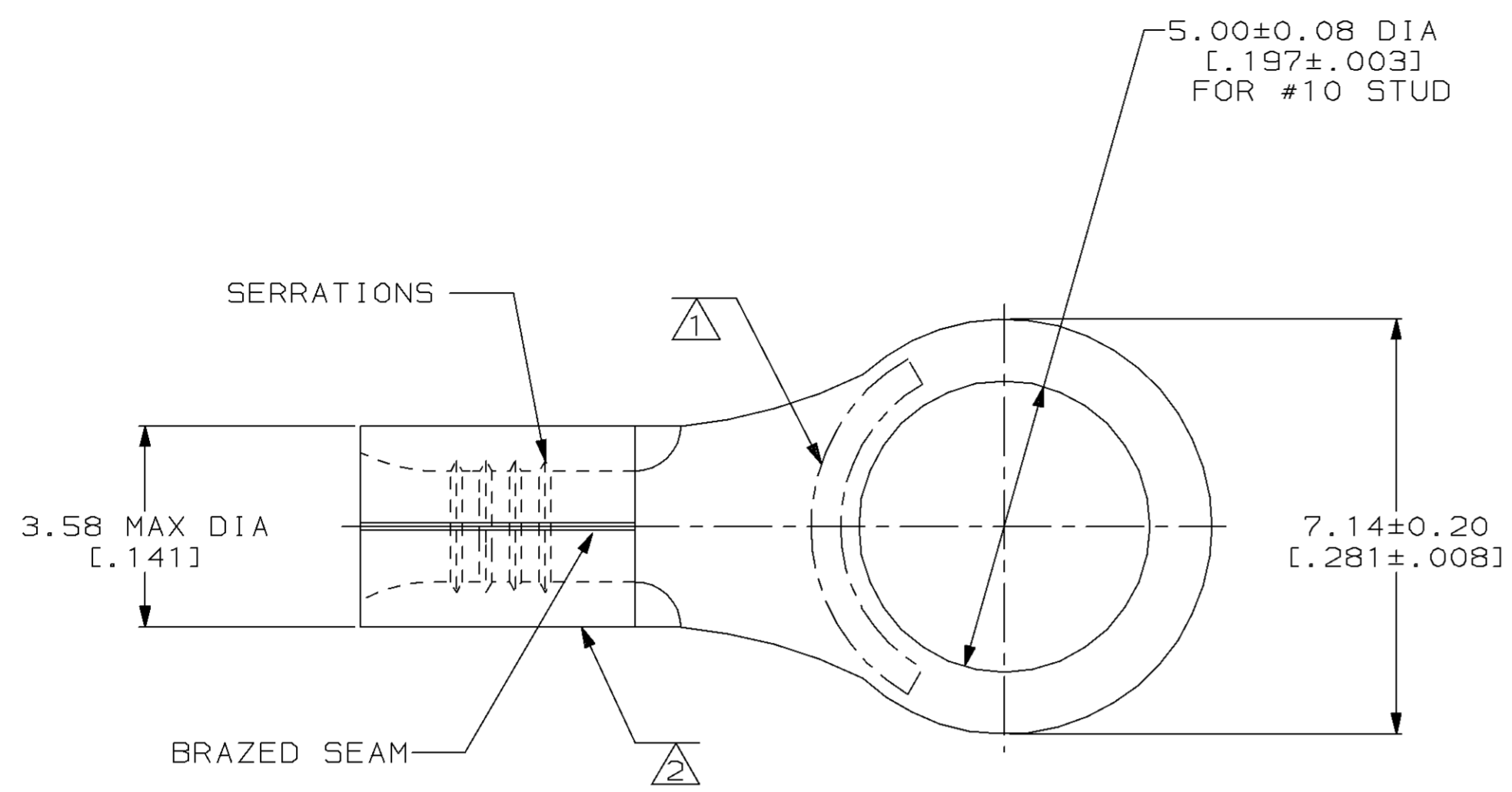


LOC		DIST		REVISIONS				DATE	APPD
ZONE	LTR	DESCRIPTION		DATE	APPD				
G	14	P	F	F	REV, RDRW, & SM PKG PER 0720-0061-93	4-15-93	APP	DAP	

**METRIC**  
 DIMENSIONS LISTED IN mm [ INCHES ]

<b>AMP</b> WIRE RANGE	<b>UL</b> E13288 Listed
22-16 AWG SOLID OR STRANDED	NOT APPLICABLE
<b>SR</b> LR7189 Certified	MILITARY P/N AND CLASS
NOT APPLICABLE	NOT APPLICABLE



- ① STAMP AMP 22-18 APPROX AS SHOWN  
 22-16 TERMINALS ARE STAMPED 22-18 IN  
 ACCORDANCE WITH MILITARY SPECIFICATION  
 MIL-T-7928; COMMERCIAL WIRE RANGE IS 22-16
- ② WIRE BARREL COLOR CODED ORANGE  
 TO DENOTE NICKEL MATERIAL

100	LOOSE PIECE, BOX	8-321891-1
----	LOOSE PIECE	321891
QUANTITY	PACKAGE TYPE	PART NO

**AMP INCORPORATED**  
**CUSTOMER SERVICE SYSTEMS**

FOR ADDITIONAL PRODUCT INFORMATION OR COPIES OF DRAWINGS AND TECHNICAL DOCUMENTS	PRODUCT INFORMATION CENTER 1-800-522-6752
FOR APPLICATION TOOLING INFORMATION	TOOLING ASSISTANCE CENTER 1-800-722-1111
FOR ORDER ENTRY	1-800-526-5142

MAX RECOMMENDED OPERATING  
TEMPERATURE:  
649°C MAX

VOLTAGE RATING:  
NOT APPLICABLE

WIRE CROSS SECTIONAL AREA RANGE:  
0.26-1.65mm<sup>2</sup> [509-3,260] CIR MILS  
SOLID OR STRANDED

THIS DRAWING IS A CONTROLLED DOCUMENT FOR  
AMP INCORPORATED. IT IS SUBJECT TO CHANGE  
AND THE CONTROLLING ENGINEERING ORGANIZATION  
SHOULD BE CONTACTED FOR THE LATEST REVISION.

DO NOT SCALE PRINT.  
UNLESS SPECIFIED  
DIMENSIONS IN mm [INCHES]  
TOLERANCES ON:

2 PLC DEC ± -  
3 PLC DEC ± -  
ANGLES ± -

MATERIAL  
NICKEL PER  
ASTM B-162  
ANNEALED

FINISH  
-

DR 4-15-93  
TA BRINKMAN

CHK 4-15-93  
DA PATTERSON

APPD 4-15-93  
DE MILLER

APPD 4-15-93  
JL MECKLEY

PRODUCT SPEC  
-

APPLICATION SPEC  
-

WEIGHT  
-

**AMP** AMP Incorporated  
Harrisburg, PA 17105-3608

NAME  
TERMINAL, RING TONGUE,  
HIGH TEMPERATURE,  
STRATO-THERM™

SIZE  
③ 00779

CAGE CODE  
③=321891

DRAWING NO  
③=321891

SCALE 10:1

SHEET 1 OF 1